
Linamar

Maharshi Patel

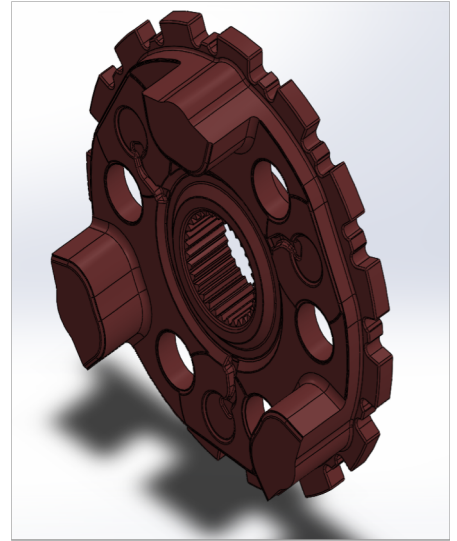
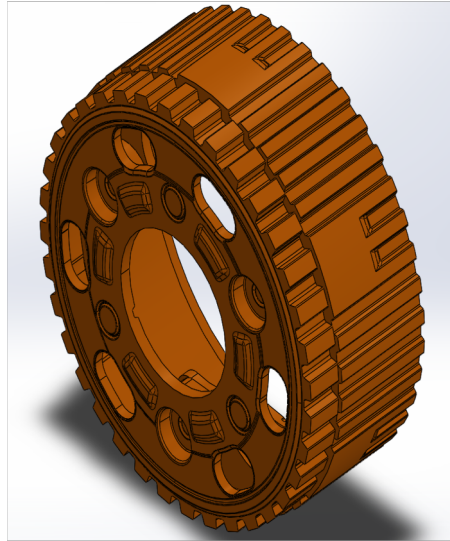
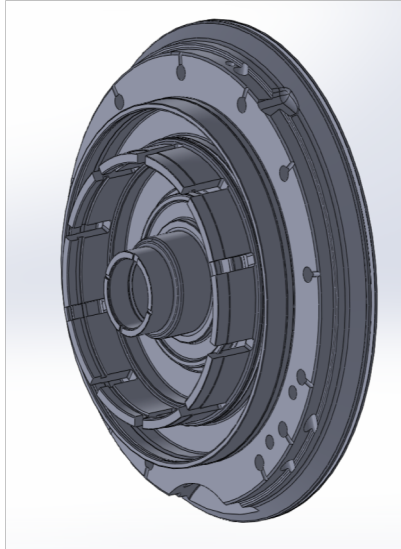
Projects Undertaken

- Rapid Prototype
 - Gauge Design
 - Table Design
 - Fixture Design
-

Rapid Prototyping - 9F/10R

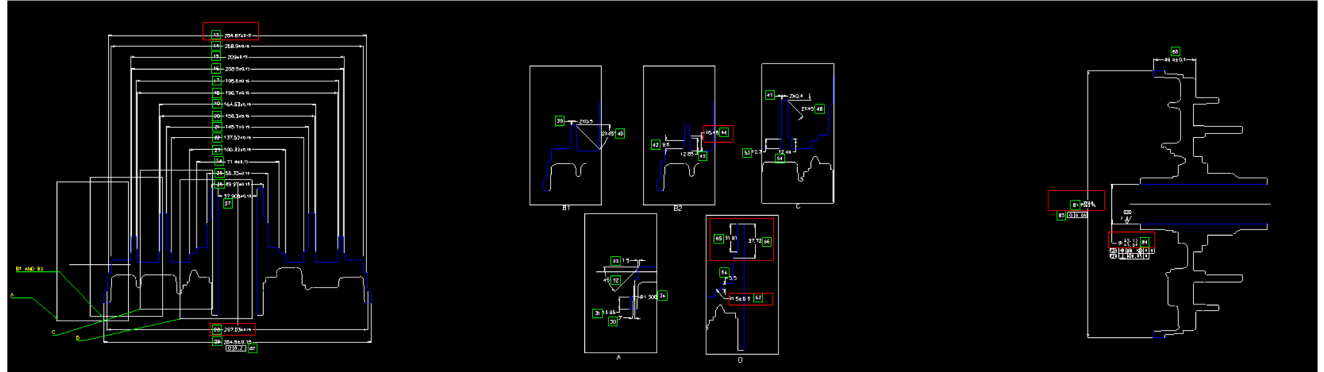
Rapid Prototyping
project for GM/Ford joint
project for their 9-speed
and 10-speed
transmission packages

- Creating CAM Profile
- Process Specification
- Control Plan



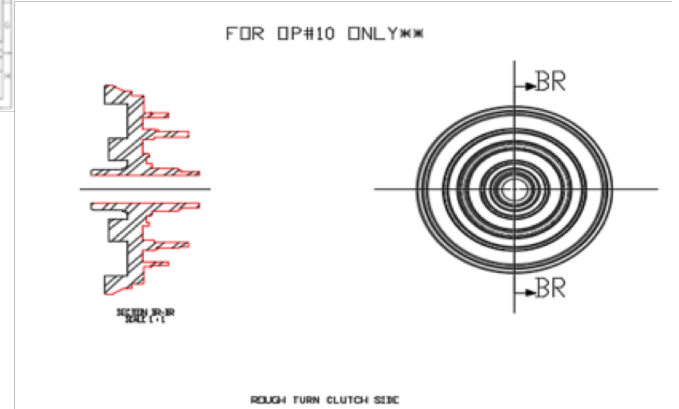
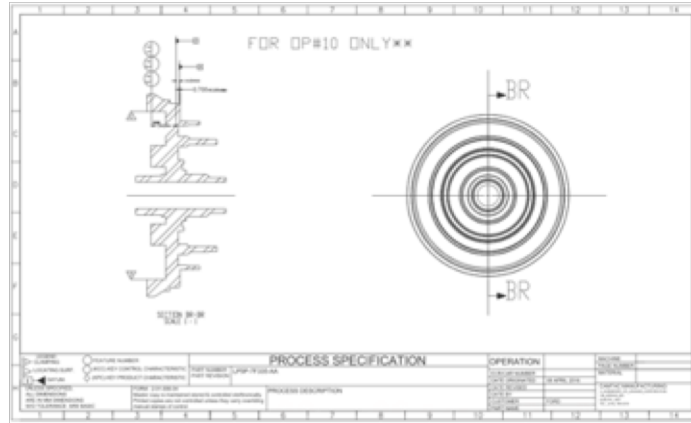
Rapid Prototyping - 9F/10R

Creating CAM Profile



Rapid Prototyping - 9F/10R

Process Specification



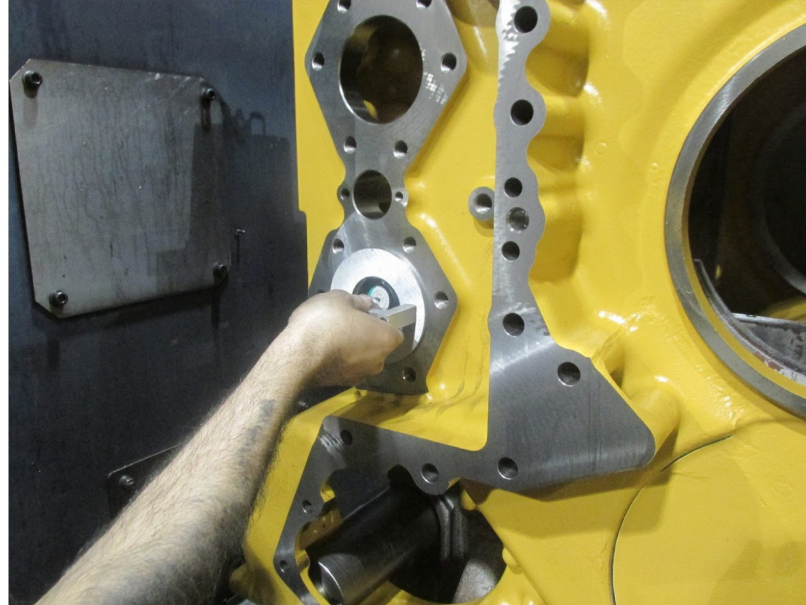
Rapid Prototyping - 9F/10R

Control Plan

CONTROL PLAN													
Prototype / Pre-Launch / Production													
REVISED BY: MARCELA LACER, LUCAS M. BORGES F., RIVALDO A. SANTOS D., ROBERTO M. SOARES J. F.													
REVISED DATE: 7-Apr-19													
REVISED BY: MARCELA LACER, LUCAS M. BORGES F., RIVALDO A. SANTOS D., ROBERTO M. SOARES J. F.													
REVISED DATE: 7-Apr-19													
Item No.	Item Description	Spec. No.	Spec. Value	Spec. Unit	Spec. Type	Spec. Method	Spec. Location	Spec. Frequency	Spec. Action	Spec. Responsibility	Spec. Status	Spec. Date	Spec. Version
15	Receiving	T120.1	T120.1		Material Identity	Other	SPV-PC-0200-00		Supplier Report	1	Annual		RCC
16		T120.2	T120.2		Density	Other	4.8 g/cc Minimum		Supplier Report	1	Per Month		RCC
17		T120.3	T120.3		Blow-pipe operation force	Other	10000 N maximum		Supplier Report	1	Per Month		RCC
18		T100	T100		T17 Spindle F Actual Circle Tooth Thickness	SC	7.46517 (M)		Capability study/Supplier Report	1	Per Month		RCC
19		T100	T100		T17 Spindle F Actual Circle Tooth Thickness	SC	7.46517 (M)		Functional Gauge	1	Per Month		RCC
20		T100	T100		T18 Spindle F Effective Circle Tooth Thickness	SC	(7.46) - 0.01		Capability study/Supplier Report	1	Per Month		RCC
21		T100	T100		T18 Spindle F Effective Circle Tooth Thickness	SC	(7.46) - 0.01		Functional Gauge	1	Per Month		RCC
22		T110	T110		T20 Spindle S Actual Circle Tooth Thickness	SC	0.76048 (20)		Capability study/Supplier Report	1	Per Month		RCC
23		T110	T110		T20 Spindle S Actual Circle Tooth Thickness	SC	0.76048 (20)		Functional Gauge	1	Per Month		RCC
24		T110	T110		T21 Spindle S Effective Circle	SC	(0.760) - 0.005		Capability study/Supplier Report	1	Per Month		RCC

Gauge Designs

Bore Guage



Gauge Designs

Thread Gauge

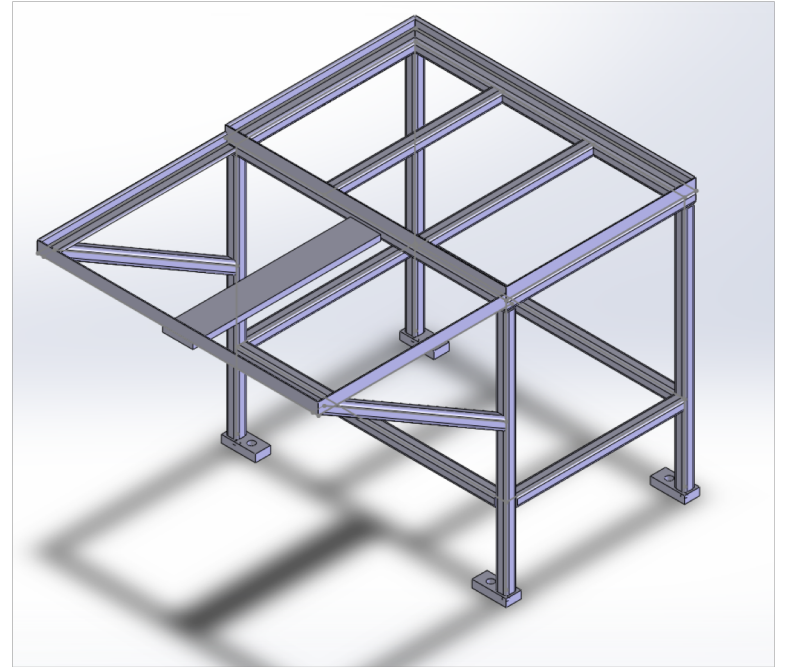
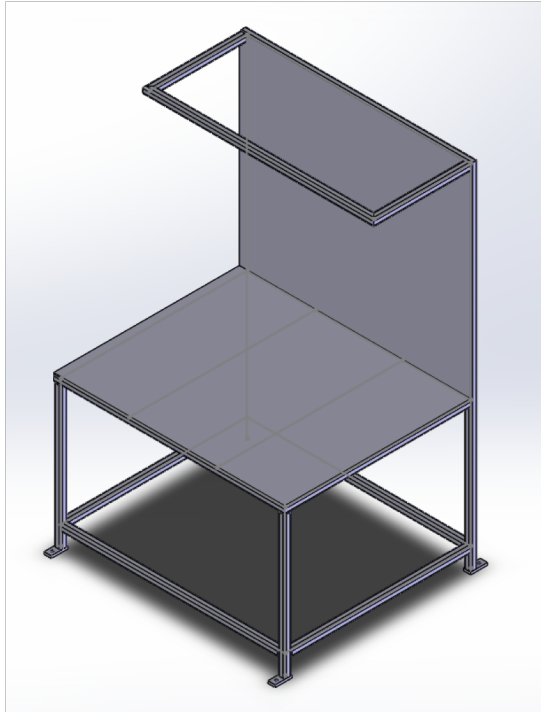


Gauge Designs

Go/NoGo Gauge



Table Designs



Fixture Designs

